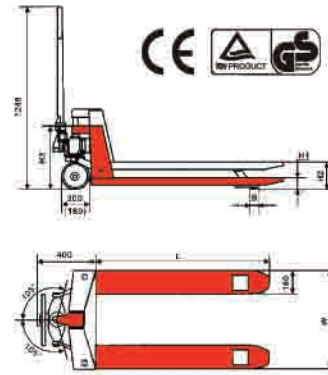




Heavy Duty Pallet Truck NPV Series

- Heavy duty pump and steering wheel reduces the actual pull effort required.
- Large piston to avoid large effort force.
- Its independent oil storage room ensures good leakproofness.
- 210° degrees steering angle allows maximum maneuverability.
- A premium Pallet Truck based on a world class design.
- Available Ex Stock in special sizes.



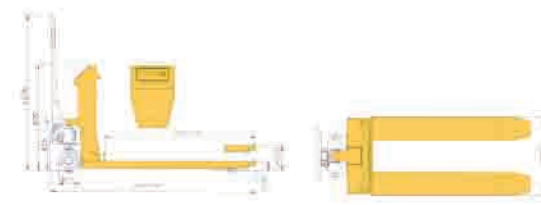
1KG=2.2LB 1INCH=25.4MM

Model		NPV35	NPV50
Rated capacity	kg	3500	5000
Width over forks*1 W	mm	520/550/685	520/550/685
Fork length *1 L	mm	1070/1150/1220	1070/1150/1220
Min. fork height H2	mm	80	80
Max. fork height H1	mm	200	200
Steering wheel *2 A	mm	Ø200x62	Ø200x62
Load wheel *3 B	mm	Ø78x70(Tandem)	Ø78x70(Tandem)
Weight	kg	80	83
Under clearance	mm	40	180
Fork width	mm	160	160
Width inside forks	mm	200	365
Stroke length	mm/stroke	10	10
Overall height	mm	1248	1248
Overall length	mm	1500	1570
Steer angle		210deg	210deg
Drive unit length	mm	400	400

- 1, (*1) W and L with over width and over length can be made according to customer's requirement.
 2, (*2) The Ø180x62 steering wheel is optional.
 3, (*3) The Ø78x100 single load wheels are optional.
 4, (*4) option: nylon wheel, polyurethane wheel, rubber wheel single fork roller or tandem fork roller.

Pallet Truck With Scale SAC Series

- Features weighting accuracy ±2kg for load 2000kg/4400lbs.
- Strong robust low profile painted frame.
- Runs off six rechargeable "D" cell battery/ or mains.
- Battery charger included.
- Scales clearly display the weight of the load on the forks.
- Four accurate load cells.



1KG=2.2LB 1INCH=25.4MM

Model		SAC20H	SAC20L
Rated capacity	kg	2000	2000
Min. fork height	mm	88	76
Max. fork height	mm	200	190
Steering Wheel	mm	Ø180x50	Ø180x50
Load roller	Single		
	Tandem	Ø74x70	Ø64x70
Size of fork	mm	178x60	178x50
Width overall forks	mm	568	
Fork Length	mm	1150/1220	
Battery		DC12V,5.0AH	
Printer		Battery	DC5V,1≤1.5A
		Port	Serial Port
	Paper	44.5mm(Width)x40mm(dia)	

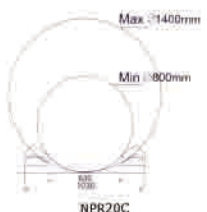
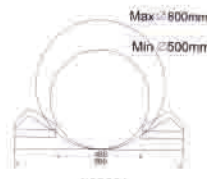
- Rechargeable Ni-Cr or AC power
- Available in pounds or kilograms

Roll Pallet Truck NPR Series

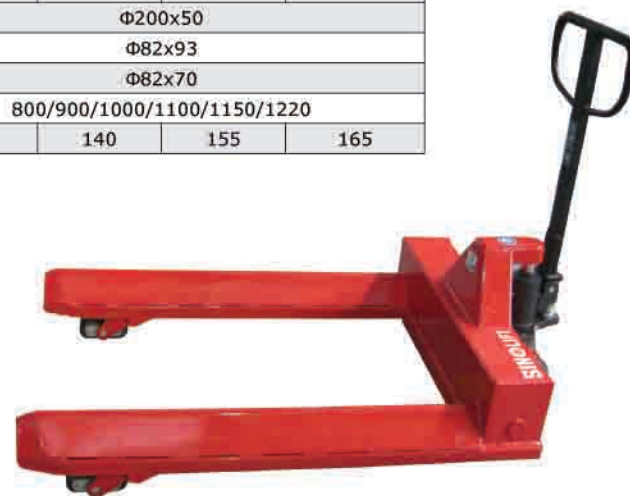
- "Roll Pallet Truck" designed for carrying horizontal transport loads such as rolls, reels, cable drums etc.
- For handling cylindrical loads where the lifting operation is achieved without pallets cylindrical loads can be lifted directly from the floor, transported, and deposited, and deposited in their un palletized state.
- Conforms to EN 1757-2.

1KG=2.2LB 1INCH=25.4MM

Model		NPR20A	NPR20B	NPR20C	NPR20D
Capacity	kg	2000			
Reel diameter	mm	Φ500-Φ800	Φ700-Φ1300	Φ800-Φ1400	Φ1200-Φ1600
With overall forks	mm	860	990	1030	1150
Steering wheel	mm	Φ200x50			
Load roller (Single)	mm	Φ82x93			
Load roller (Tandem)	mm	Φ82x70			
Fork length	mm	800/900/1000/1100/1150/1220			
Net weight	kg	130	140	155	165

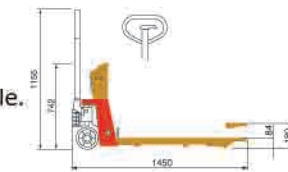


For handling roll of paper, carpet, textile or other material



Pallet Truck With Scale CPS Series

- Easy Operation.
- Putting down the fork in stable with Oil Pressure.
- Saving time with Carrying and Weight at once.
- Using Oil Pressure for putting down the fork in stable.
- Versatile for any size room.
- The frame uses heavy-duty steel construction for maximum strength and durability.



1KG=2.2LB 1INCH=25.4MM

Model	CPS-1-A	CPS-1-B	CPS-1-C	CPS-2-A	CPS-2-B	CPS-2-C
Weighting capacity	1000x0.5kg			2000x1kg		
Measurement type	CI-2001B, Load Cell					
Power source	Rechargeable Battery, AC110/220V					
Printer	with/without					
Display type	5 Digit LCD (Height 25mm)					
Display designators	ON/OFF, Zero, Tare, kg/lb					
Accessory	Rechargeable Battery, AC Adaptor					
Option	RS-232C, Resolution 1/2000					
Rated capacity (kg)	1000	1000	1000	2000	2000	2000
Min. height/max. height (mm)	80/200			85/205		
Forks width (mm)	540	620	705	540	620	705
Single fork width (mm)	180	10	180	180	180	180
Fork length (mm)	1080	1080	1200	1080	1080	1200
Service Weight (kg)	117	120	118	120	122	124

