

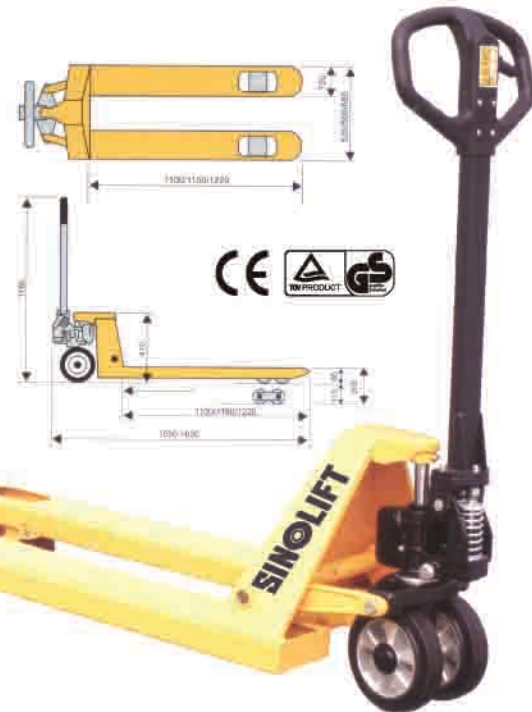


Hand Pallet Truck *CBG Series*

- A built overload valve and totally sealed hydraulic pump, seals of hydraulic pump are imported from Germany.
- Heavy duty one piece "C" section forks for the greatest strength and durability.
- Tow nylon entry and exit rollers prevent physical exertion of the operator and protect load wheels and pallet.
- Full adjustable push rod under forks.
- 3-position control handle.
- Grease fittings at key points.

1KG=2.2LB 1INCH=25.4MM

Model		CBG20(*QL)		CBG25 (*QL)	
Capacity	kg	2000		2500	
Min. Height of Forks	mm	85	75	85	65
Max. Height of Forks	mm	200	190	200	165
Steering Wheels	mm	Ø200X50	Ø180X50	Ø200X50	Ø180X50
Load Wheels	Single	mm	Ø82X93	Ø74X93	Ø82X93
	Tandem	mm	Ø82X70	Ø74X70	Ø82X70
Forks Size	mm	160X60 or 150X50			
Forks Width	mm	480 / 520 / 550 / 685			
Forks Length	mm	800/900/1000/1067/1100/1150/1220			



- 1, (*QL) mean Quick Lift model, 4 strokes to lift Max. Height.
- 2, Materials and specifications are subject to change without prior notice.



Hand Pallet Truck *NPF Series*

- An idea truck for light load handling;
- Whenever lifting loads under 200kg, It takes just 3 or 4 strokes reached Max. Height.
- With Double control valve to keep Doubl speed pump work;
- Whenever heavy load (above 200kg),the quick lift hydraulic system automatically switches to normal operation.
- More load, more slowly descend.

1KG=2.2LB 1INCH=25.4MM

Model		NPF25S		NPF25W	
Rated Capacity	kg	2500		2500	
Width over forks	W	mm	460,520,540,550	680,685	
Fork length	L	mm	810,980,1070,1150	1200,1220	
Min. Fork Height	H2	mm	80	80	
Max. Fork Height	H1	mm	200	200	
Steering Wheel *1	A	mm	Ø180x62 Nylon or PU	Ø180x62 Nylon or PU	
Load Wheel *2	B	mm	Ø78x70 (Tandem)	Ø78x70 (Tandem)	
Weight	kg	78	81		
Under Clearance	mm	40	40		
Fork width	mm	150	150		
Width inside forks	mm	160,220,240,250	380,385		
Stroke length	mm/stroke	50	50		
Overall Height	C	mm	1200	1200	
Overall Length	mm	1500	1570		
Steer Angle		180deg	180deg		
Drive Unit Length	mm	340	340		



- 1, (*1) Rubber wheel is option.
- 2, (*2) The 78*100mm single load wheels are optional,
- 3, Forkwidth and forklength can be manufactured as special demands.

Hand Pallet Truck *NPG & NPS Series*

■ SINOLIFT supply a wide range of pallet trucks for specialist applications and to comply with particular legislation.

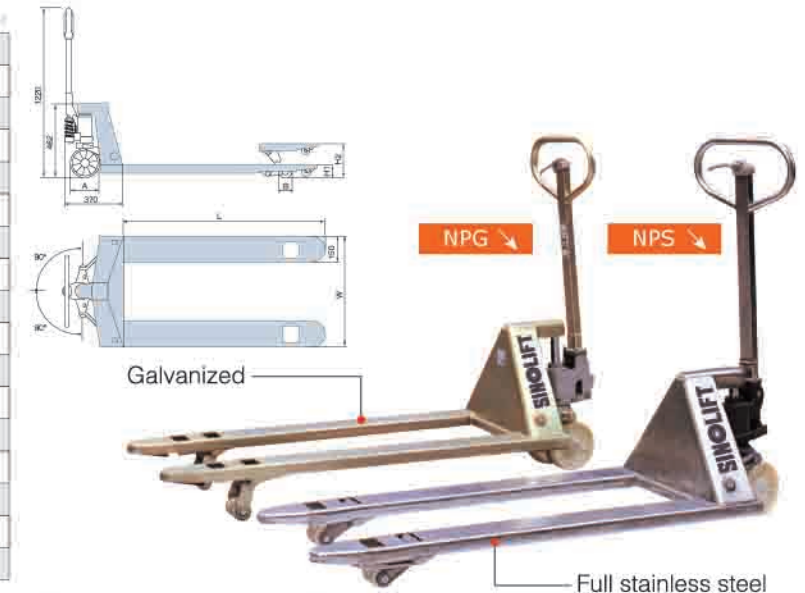
- Galvanized, Zinc and Chrome Plated.
- Designed for corrosive or wet environments these full featured pallet trucks were designed for chemical, pharmaceutical and wash down.

- Stainless Steel and Stainless Steel Frame & Forks.
- Ideal for sanitary, pharmaceutical, medical, food and wet environments.
- Choose either S304 or S316 stainless steel pallet truck for long life in even the most harsh environments.
- These pallet trucks are available made with different types of finishes.
- For American markets, standard specifications is all with a 5500 pound capacity and a service range of 2 7/8" to 7 3/4". Forks are 27" wide x 48" long.



1KG=2.2LB 1INCH=25.4MM

Model		NPG	NPS
Rated Capacity	kg	1500/2000/2500/3000/5000	
Width over forks *1	W	mm 460/520/540/550/680/685	
Fork length *1	L	mm 810/980/1070/1150/1220	
Min. fork height	H2	mm 80	
Max. fork height	H1	mm 200	
Steering wheel	A	mm Ø180x62 Nylon or PU	
Load wheel *2	B	mm Ø78x100(Single) Ø78x70 (Tandem)	
Weight	kg	78	
Under Clearance	mm	40	
Fork width	mm	150	
Width inside forks	mm	160,220,240,250	
Strokes		50	
Overall height	mm	1220	
Overall length	mm	1500	
Steer angle		230deg	
Drive unit length	mm	370	



- 1, (*1) W1 and L1 with over width and over length can be made according to customer's requirement.
- 2, (*2) Ø78*100 single wheels are options, Nylon, PU and Rubber wheel is option.

Hand Pallet Truck *ACZ & ACS Series*

- Widely used in carry meat, marine products, wines, beverage, chemicals, etc. and can work in very low temperature conditions, e.g. to deliver goods into and out of freezers/coolers.

1KG=2.2LB 1INCH=25.4MM

Model		ACZ20H	ACZ20L	ACS20H	ACS 20L
Capacity	kg	2000		2000	
Min. Height of Forks	mm	85	75	85	75
Max. Height of Forks	mm	200	190	200	190
Steering Wheels	mm	Ø200X50	Ø180X50	Ø200X50	Ø180X50
Load Wheels	Single	mm	Ø82X93	Ø74X93	Ø82X93
	Tandem	mm	Ø82X70	Ø74X70	Ø82X70
Forks Size	mm	160X60			
Forks Width	mm	480 / 520 / 550 / 685			
Forks Length	mm	800/900/1000/1067/1100/1150/1220			

